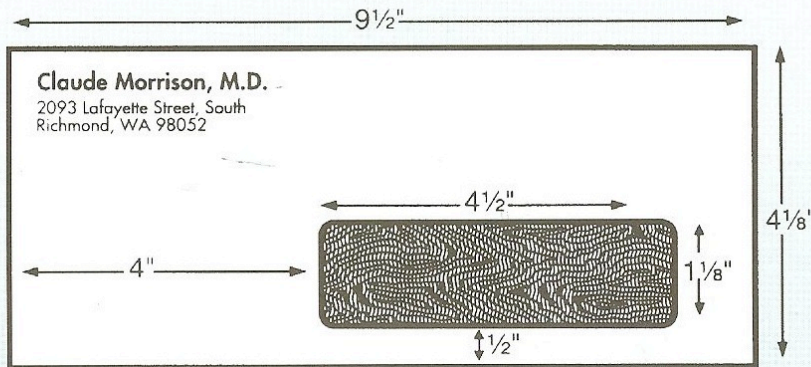
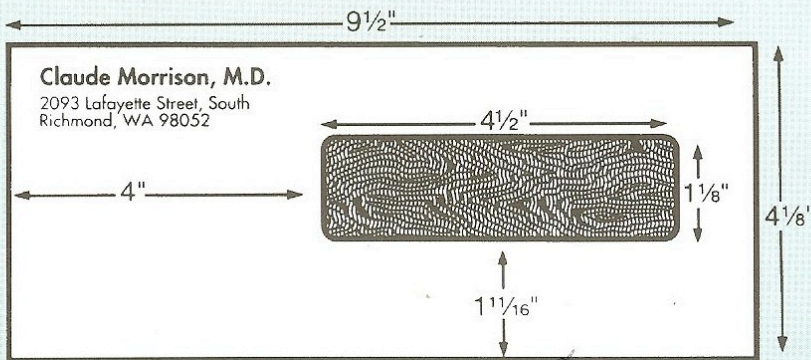


# HCFA ENVELOPES

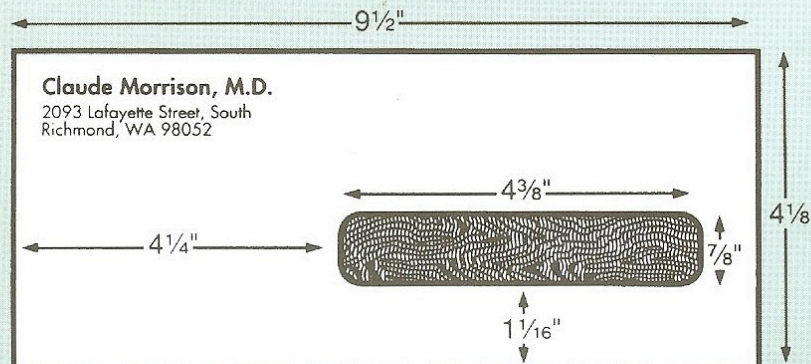
Due to various industry specifications, we are offering four **HCFA** envelopes. When ordering **HCFA** Envelopes, you must specify which **HCFA** envelope to match by indicating the window size and position on your purchase order.



Item Number: **HCFA3**  
Gummed Seal



Matches Wilmers #HCFA 1500.  
Gummed Seal Item Number:  
**HCFA4**  
Flip & Seal Item Number:  
**HCFA4SS**



Matches Transkrit #TS10WR.  
Gummed Seal  
Item Number:  
**HCFA10**

Other window sizes and positions can be manufactured. Call for pricing.